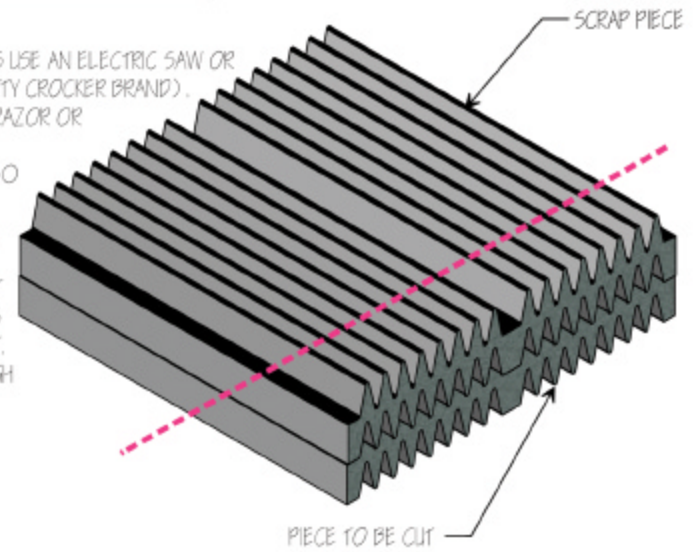


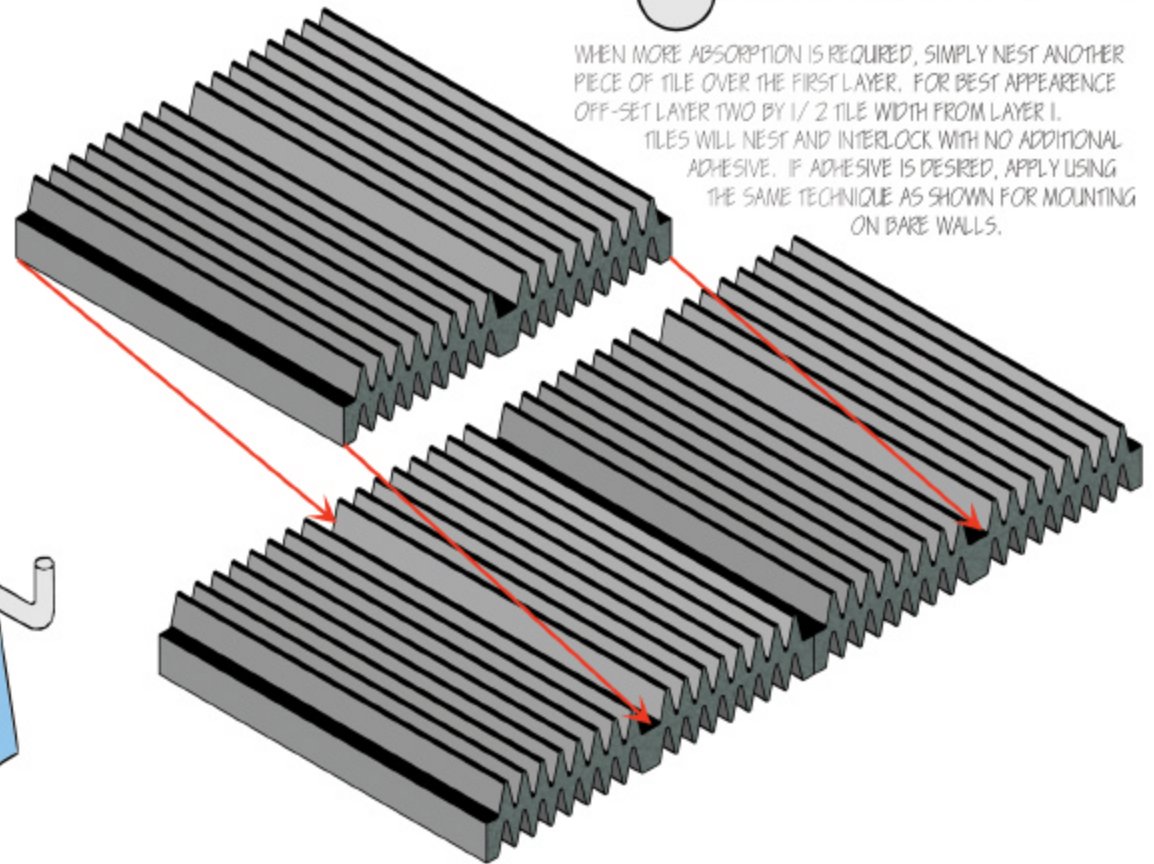
TRIMMING OR CUTTING TILES

FOR CRISP FACTORY-LIKE CUTS ALWAYS USE AN ELECTRIC SAW OR ELECTRIC CARVING KNIFE (WE LIKE BETTY CROCKER BRAND). DO NOT ATTEMPT TO CUT FOAM WITH RAZOR OR SCISSORS. WHEN USING A TABLE-SAW SELECT A 60 TOOTH PANEL BLADE. WHEN USING A CARVING KNIFE WORK WITH A STRAIGHT EDGE. SELECT A PIECE OF SCRAP AND NEST IT INTO THE PIECE TO BE CUT. THIS KEEPS THE WEDGES FROM TEARING WHEN CUT. ENSURE THAT SAW BLADE CUTS THROUGH BOTH PIECES OF FOAM.



ADDING MORE ABSORPTION

WHEN MORE ABSORPTION IS REQUIRED, SIMPLY NEST ANOTHER PIECE OF TILE OVER THE FIRST LAYER. FOR BEST APPEARANCE OFF-SET LAYER TWO BY 1/2 TILE WIDTH FROM LAYER 1. TILES WILL NEST AND INTERLOCK WITH NO ADDITIONAL ADHESIVE. IF ADHESIVE IS DESIRED, APPLY USING THE SAME TECHNIQUE AS SHOWN FOR MOUNTING ON BARE WALLS.



APPLYING TO WALL OR CEILING

USE STANDARD CONSTRUCTION ADHESIVE. SDG RECOMMENDS LIQUID NAILS PL-200 OR EQUIVALENT. MAKE 3 OR 4 PENCIL THICK LINES OF ADHESIVE PERPENDICULAR TO WEDGE DIRECTION PER FOOT. ALIGN THE TILE TO LAY-OUT MARKS AND MASH TILE INTO ADHESIVE. HANDLE TILES CAREFULLY TO AVOID STRETCHING OR DISTORTING FOAM TILE. ALWAYS USE LAY-OUT MARKS FOR PROFESSIONAL ALIGNMENT.

