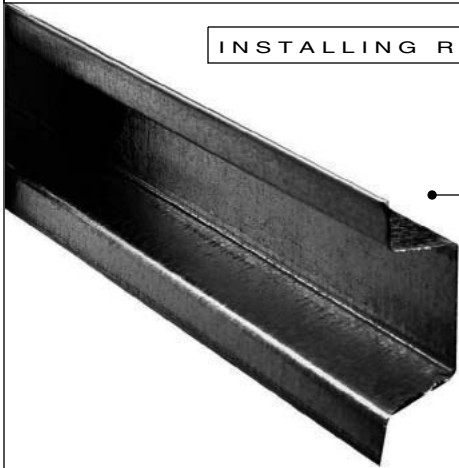


Application Recommendations for Wall and Ceiling, Wood or Steel Framing

INSTALLING RESILIENT SOUND ISOLATION CLIPS (RSIC-1)



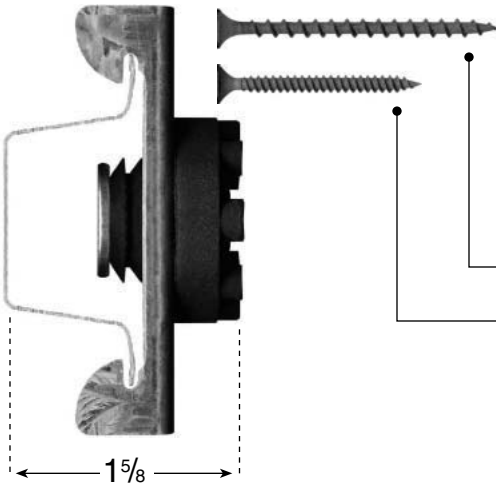
Furring Channel:

- Minimum requirements: 25 gauge (0.0188 inch thickness), Hemmed Edge detail Required on all 25 gauge Furring Channel.
- Optional: 22 gauge (0.027 inch thickness) or 20 gauge (0.033 inch thickness)
- Depth 7/8 inch or 1-1/2 inch.
- Width Top 2-1/2 inch wide minimum.
- Bottom 1-1/4 inch wide



Resilient Sound Isolation Clip (RSIC-1):

- Spacing Maximum 48 inches on center.
- Splice furring channel (hat track) with 6" over lap, secure with screws or wire tie.
- Maximum Allowable Dead Load 36 pounds per RSIC-1.



Fasteners:

- RSIC-1 To wood 2-1/2 inch (63mm) minimum length Type "W" screw.
- RSIC-1 To Steel 1-5/8 inch (41mm) minimum length Type "S" screw.
- Do NOT fasten Resilient Sound Isolation Clips (RSIC-1) to framing members with nails. Use only approved screws.
- Drywall to furring channel (hat track)

Acoustics First Corporation
2247 Tomlyn Street
Richmond, VA 23230

PH: 804 342 2900
FX: 804 342 1107

Toll Free: 1 888 765 2900
info@acousticsfirst.com

www.acousticsfirst.com

Single layer 1/2 inch (12mm) use 1-1/8 inch (28mm) Type "S" screw with bugle head.

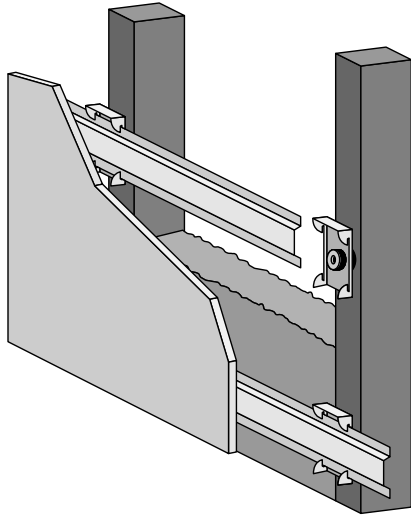
Single layer 5/8 inch (16mm) use 1-1/4 inch (32mm) Type "S" screw with bugle head.

Second layer 1/2 inch (12mm) use 1-5/8 inch (41mm) Type "S" screw with bugle head.

Second layer 5/8 inch (16mm) use 1-5/8 inch (41mm) Type "S" screw with bugle head.

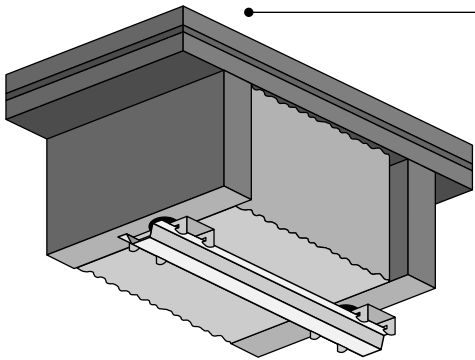
Application Recommendations for Wall and Ceiling, Wood or Steel Framing

INSTALLING RESILIENT SOUND ISOLATION CLIPS (RSIC-1)



Walls: One and Two layers of 5/8" Gypsum

- Resilient Sound Isolation Clip (RSIC-1) shall be 48 inches (1219mm) on center maximum. (Horizontally)
- Fasten the Resilient Sound Isolation Clip (RSIC-1) to the structure members. Ensure the internal metal Ferrell is tight to the framing member.
- Locate the first row of RSIC-1 clips within 2 inches (50mm) from the floor, and within 6 inches (150mm) from the Ceiling.
- Drywall Furring Channel (Hat Track) shall be 24 inches (610mm) on center vertically for one (1) layer of 5/8" or 1/2" gypsum
- Drywall Furring Channel (Hat Track) shall be 16 inches (610mm) on center vertically for two (2) layers of 5/8" or 1/2" gypsum
- Snap in the Drywall Furring Channel (hat track) into the RSIC-1 clip at right angles (perpendicular) to the framing members.



Ceilings: One and Two layers of 5/8" Gypsum

- Resilient Sound Isolation Clip (RSIC-1) shall be 48 inches (1219mm) on center maximum. (Horizontally)
- Fasten the Resilient Sound Isolation Clip (RSIC-1) to the structural members. Ensure the internal metal Ferrell is tight to the framing member
- Locate the first row of RSIC-1 clips within 8 inches (200mm) of the wall at each end of a run.
- Drywall Furring Channel (Hat Track) shall be 24 inches (610mm) on center perpendicular from the floor joist for one (1) layer of 5/8" or 1/2" gypsum.
- Drywall Furring Channel (Hat Track) shall be 16 inches (610mm) on center perpendicular from the floor joist for two (2) layers of 5/8" or 1/2" gypsum
- Snap in the Drywall Furring Channel (hat track) into the RSIC-1 clip at right angles (perpendicular) to the framing members.

General Information:

- Resilient Sound Isolation Clip (RSIC-1), furring channel (hat track) and Gypsum board shall not carry heavy loads such as cabinets or bookshelves.
- Resilient Sound Isolation Clip (RSIC-1) is typically only required on one side of an assembly.
- Splice furring channel (hat track) with 6" over lap in mid span, secure with screws or wire tie.
- Seal all potential air leaks with non hardening Acoustical caulking to achieve best Field Sound Transmission Class (FSTC) and Field Impact Isolation Class (FIIC) ratings.

Fire Test Information

- Resilient Sound Isolation Clips (RSIC-1) are not to be arbitrarily added to fire related assemblies.
- Check UL Fire Resistance Directory. Control # 83XN, File# R20548
- Check UL's web pages. www.ul.com/database
- Contact U.L. (631) 271-6200 ext. 22897 fax (631) 439-6018
Contact Warnock-Hersey. www.etlsemko.com Test# WHI-495-1567
- Warnock-Hersey Product verification call 1-888-347-5478 or fax 1-800-813-9442

Acoustics First Corporation
2247 Tomlyn Street
Richmond, VA 23230

PH: 804 342 2900
FX: 804 342 1107

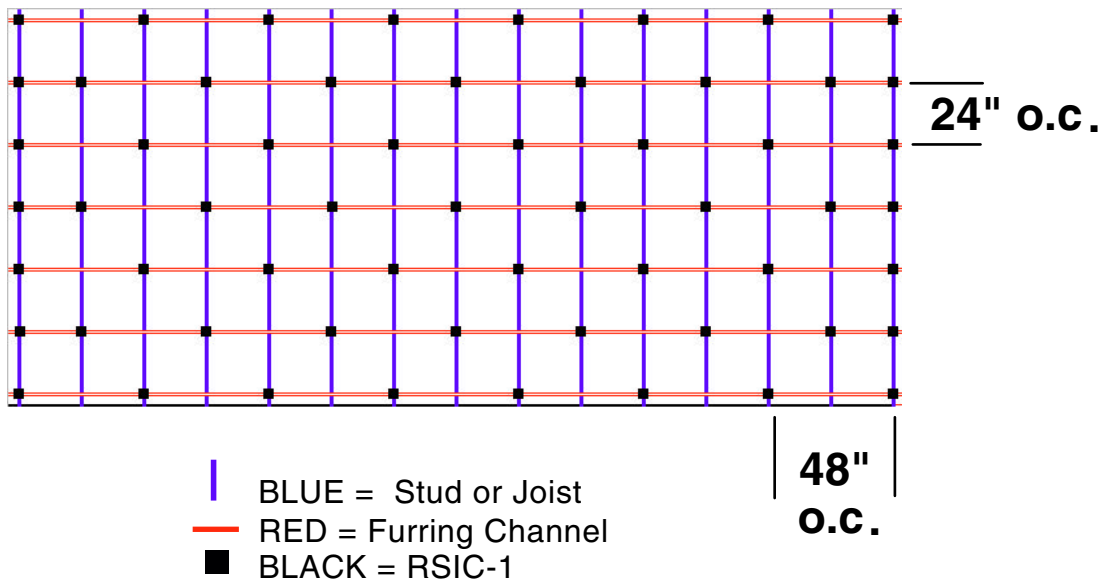
Toll Free: 1 888 765 2900
info@acousticsfirst.com

www.acousticsfirst.com

Application Recommendations for Wall and Ceiling, Wood or Steel Framing

INSTALLING RESILIENT SOUND ISOLATION CLIPS (RSIC-1)

Drywall Furring Channel (Hat Track) 24" o.c.



Acoustics First Corporation
2247 Tomlyn Street
Richmond, VA 23230

PH: 804 342 2900
FX: 804 342 1107

Toll Free: 1 888 765 2900
info@acousticsfirst.com

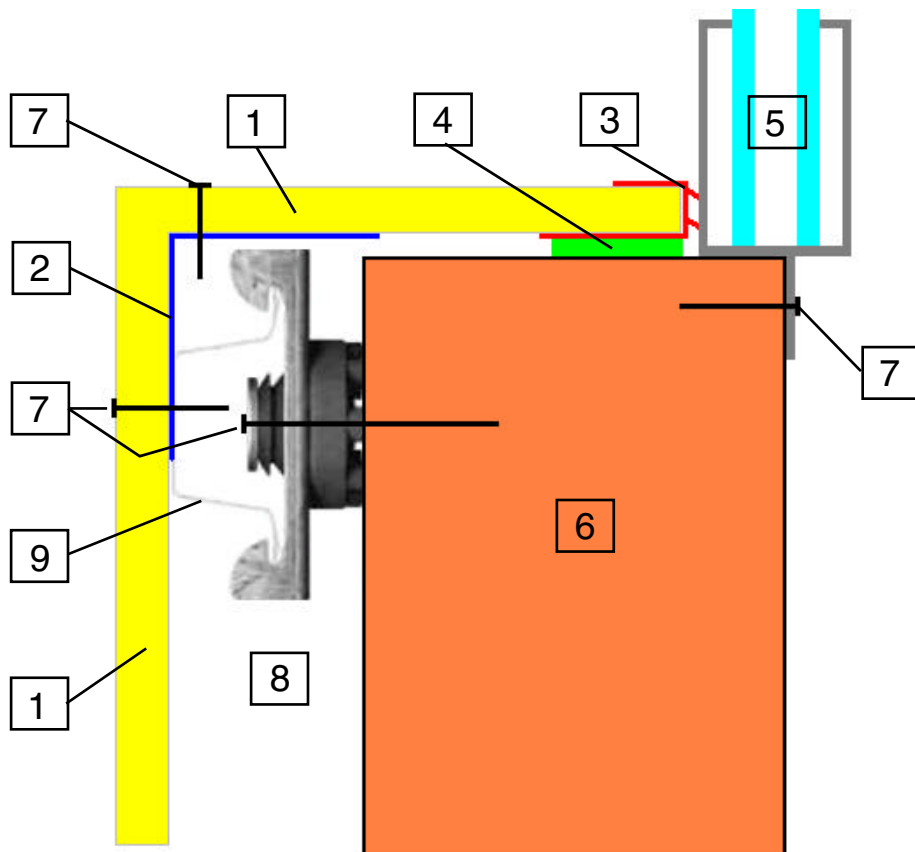
www.acousticsfirst.com

FIELD TECHNICAL INFORMATION

Application Recommendations for Wall and Ceiling, Wood or Steel Framing

INSTALLING RESILIENT SOUND ISOLATION CLIPS (RSIC-1)

1. YELLOW ... DRYWALL
2. BLUE ... 1-1/2 x 1-1/2 ANGLE
3. RED ... SUPER SEAL •J BEAD
4. GREEN ... 101 DOUBLE SIDED ACRYLIC TAPE 1/8 x 3/4 -1
5. GREY ... WINDOW ... DOOR
6. BROWN ... WOOD OR STEEL STUD
7. BLACK - FASTENERS
8. RSIC-1
9. 7/8" FURRING CHANNEL



Acoustics First Corporation
2247 Tomlyn Street
Richmond, VA 23230

PH: 804 342 2900
FX: 804 342 1107

Toll Free: 1 888 765 2900
info@acousticsfirst.com

www.acousticsfirst.com

Application Recommendations for Wall and Ceiling, Wood or Steel Framing

INSTALLING RESILIENT SOUND ISOLATION CLIPS (RSIC-1)

RSIC-1

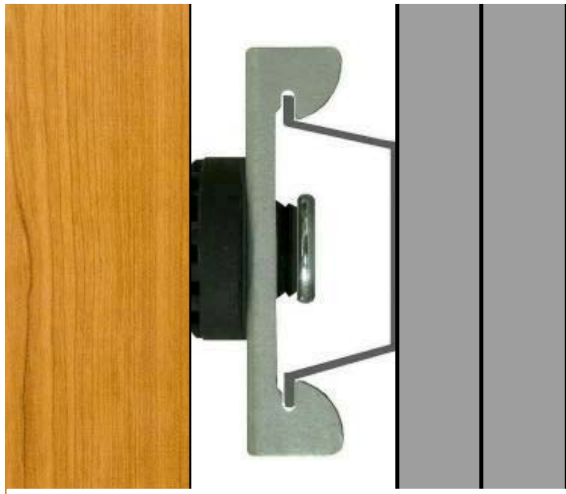
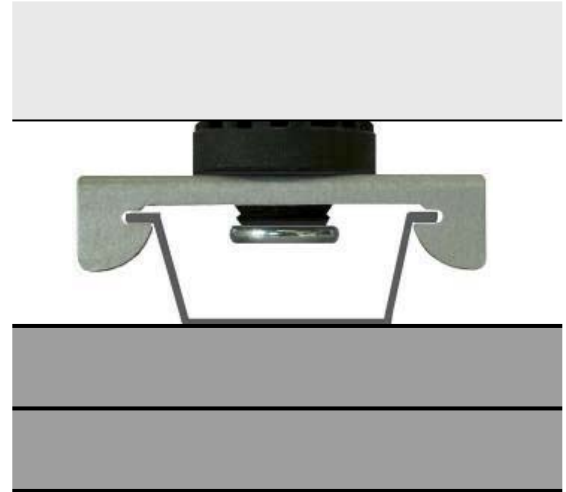
Acoustic Assembly



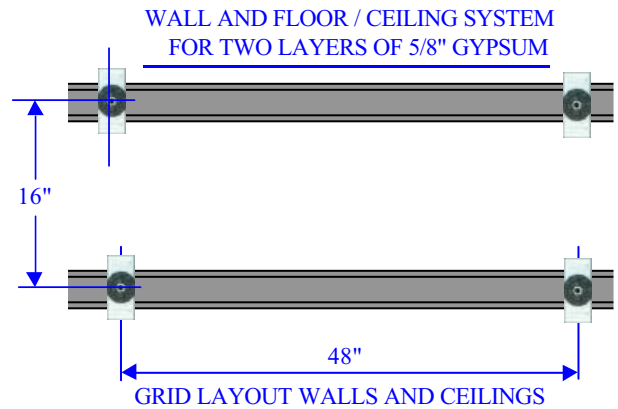
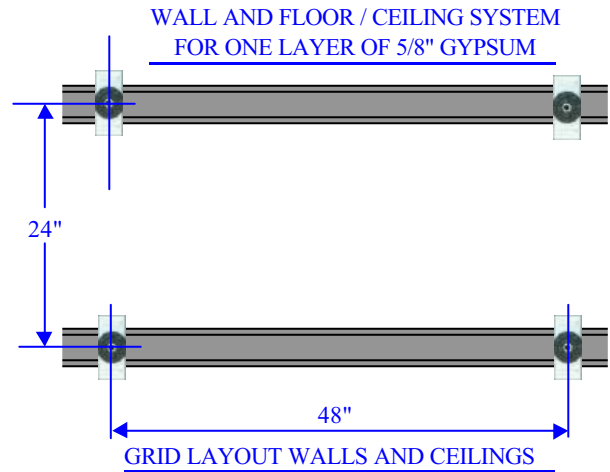
LOAD SPECIFICATION:

The RSIC-1 acoustic assembly is a proprietary part used for fastening gypsum wallboard to a supporting structure while simultaneously isolating it from vibration which significantly reduces the amount of impact and airborne sound filtering from rooms above, below and alongside.

To enable the acoustic performance of the RSIC-1 to be effective, it is recommended that the dead or shear load should not exceed **36lbs** on the assembly based on a grid layout of 4'0" x 2'0"oc. as shown below.



WALL SYSTEM



Acoustics First Corporation
 2247 Tomlyn Street
 Richmond, VA 23230

PH: 804 342 2900
 FX: 804 342 1107

Toll Free: 1 888 765 2900
 info@acousticsfirst.com

www.acousticsfirst.com

Acoustics First Corporation
 2247 Tomlyn Street
 Richmond, VA 23230

PH: 804 342 2900 FX: 804 342 1107

Toll Free: 1 888 765 2900 info@acousticsfirst.com www.acousticsfirst.com

RSIC-1 Usage Chart, DFC @ 24" on center with RSIC-1 @ 48" o.c.

Field conditions may effect quantity required

		L e n g t h															
		1~4'	5~8	9~12	13~16	17~20	21~24	25~28	29~32	33~36	37~40	41~44	45~48	49~52	53~56	57~60	61~64
W i d t h o r H e i g h t	1~3'	4	6	8	10	12	14	16	18	20	22	24	26	28	30	32	34
	3~5	6	9	12	15	18	21	24	27	30	33	36	39	42	45	48	51
	5~7	8	12	16	20	24	28	32	36	40	44	48	52	56	60	64	68
	7~9	10	15	20	25	30	35	40	45	50	55	60	65	70	75	80	85
	9~11	12	18	24	30	36	42	48	54	60	66	72	78	84	90	96	102
	11~13	14	21	28	35	42	49	56	63	70	77	84	91	98	105	112	119
	13~15	16	24	32	40	48	56	64	72	80	88	96	104	112	120	128	136
	15~17	18	27	36	45	54	63	72	81	90	99	108	117	126	135	144	153
	17~19	20	30	40	50	60	70	80	90	100	110	120	130	140	150	160	170
	19~21	22	33	44	55	66	77	88	99	110	121	132	143	154	165	176	187
	21~23	24	36	48	60	72	84	96	108	120	132	144	156	168	180	192	204
	23~25	26	39	52	65	78	91	104	117	130	143	156	169	182	195	208	221
	25~27	28	42	56	70	84	98	112	126	140	154	168	182	196	210	224	238
	27~29	30	45	60	75	90	105	120	135	150	165	180	195	210	225	240	255
	29~31	32	48	64	80	96	112	128	144	160	176	192	208	224	240	256	272
	31~33	34	51	68	85	102	119	136	153	170	187	204	221	238	255	272	289
	33~35	36	54	72	90	108	126	144	162	180	198	216	234	252	270	288	306
	35~37	38	57	76	95	114	133	152	171	190	209	228	247	266	285	304	323
	37~39	40	60	80	100	120	140	160	180	200	220	240	260	280	300	320	340
	39~41	42	63	84	105	126	147	168	189	210	231	252	273	294	315	336	357
41~43	44	66	88	110	132	154	176	198	220	242	264	286	308	330	352	374	
43~45	46	69	92	115	138	161	184	207	230	253	276	299	322	345	368	391	
45~47	48	72	96	120	144	168	192	216	240	264	288	312	336	360	384	408	
47~49	50	75	100	125	150	175	200	225	250	275	300	325	350	375	400	425	
49~51	52	78	104	130	156	182	208	234	260	286	312	338	364	390	416	442	
51~53	54	81	108	135	162	189	216	243	270	297	324	351	378	405	432	459	
53~55	56	84	112	140	168	196	224	252	280	308	336	364	392	420	448	476	
55~57	58	87	116	145	174	203	232	261	290	319	348	377	406	435	464	493	
57~59	60	90	120	150	180	210	240	270	300	330	360	390	420	450	480	510	
59~61	62	93	124	155	186	217	248	279	310	341	372	403	434	465	496	527	
61~63	64	96	128	160	192	224	256	288	320	352	384	416	448	480	512	544	
63~65	66	99	132	165	198	231	264	297	330	363	396	429	462	495	528	561	
65~67	68	102	136	170	204	238	272	306	340	374	408	442	476	510	544	578	
67~69	70	105	140	175	210	245	280	315	350	385	420	455	490	525	560	595	
69~71	72	108	144	180	216	252	288	324	360	396	432	468	504	540	576	612	
71~73	74	111	148	185	222	259	296	333	370	407	444	481	518	555	592	629	
73~75	76	114	152	190	228	266	304	342	380	418	456	494	532	570	608	646	
75~77	78	117	156	195	234	273	312	351	390	429	468	507	546	585	624	663	
77~79	80	120	160	200	240	280	320	360	400	440	480	520	560	600	640	680	
79~81	82	123	164	205	246	287	328	369	410	451	492	533	574	615	656	697	

Note: Add 4 RSIC-1 at each Drywall Butt Joint Condition for optimum Acoustical and UL Fire Resistive Assembly compliances. See UL Fire Resistive Design specifications.

Acoustics First Corporation
 2247 Tomlyn Street
 Richmond, VA 23230

PH: 804 342 2900 FX: 804 342 1107

Toll Free: 1 888 765 2900 info@acousticsfirst.com www.acousticsfirst.com

RSIC-1 Usage Chart, DFC @ 16" on center with RSIC-1 @ 48" o.c.

Field conditions may effect quantity required

L e n g t h

	1~4	5~8	9~12	13~16	17~20	21~24	25~28	29~32	33~36	37~40	41~44	45~48	49~52	53~56	57~60	61~64
1~1.3'	4	6	8	10	12	14	16	18	20	22	24	26	28	30	32	34
1.3~2.6'	6	9	12	15	18	21	24	27	30	33	36	39	42	45	48	51
2.6~4'	8	12	16	20	24	28	32	36	40	44	48	52	56	60	64	68
4~5.3'	10	15	20	25	30	35	40	45	50	55	60	65	70	75	80	85
5.3~6.6'	12	18	24	30	36	42	48	54	60	66	72	78	84	90	96	102
6.6~8'	14	21	28	35	42	49	56	63	70	77	84	91	98	105	112	119
8~9.3'	16	24	32	40	48	56	64	72	80	88	96	104	112	120	128	136
9.3~10.6'	18	27	36	45	54	63	72	81	90	99	108	117	126	135	144	153
10.6~12'	20	30	40	50	60	70	80	90	100	110	120	130	140	150	160	170
12~13.3'	22	33	44	55	66	77	88	99	110	121	132	143	154	165	176	187
13.3~14.6'	24	36	48	60	72	84	96	108	120	132	144	156	168	180	192	204
14.6~16'	26	39	52	65	78	91	104	117	130	143	156	169	182	195	208	221
16~17.3'	28	42	56	70	84	98	112	126	140	154	168	182	196	210	224	238
17.3~18.6'	30	45	60	75	90	105	120	135	150	165	180	195	210	225	240	255
18.6~20'	32	48	64	80	96	112	128	144	160	176	192	208	224	240	256	272
20~21.3'	34	51	68	85	102	119	136	153	170	187	204	221	238	255	272	289
21.3~22.6'	36	54	72	90	108	126	144	162	180	198	216	234	252	270	288	306
22.6~24'	38	57	76	95	114	133	152	171	190	209	228	247	266	285	304	323
24~25.3'	40	60	80	100	120	140	160	180	200	220	240	260	280	300	320	340
25.3~26.6'	42	63	84	105	126	147	168	189	210	231	252	273	294	315	336	357
26.6~28'	44	66	88	110	132	154	176	198	220	242	264	286	308	330	352	374
28~29.3'	46	69	92	115	138	161	184	207	230	253	276	299	322	345	368	391
29.3~30.6'	48	72	96	120	144	168	192	216	240	264	288	312	336	360	384	408
30.6~32'	50	75	100	125	150	175	200	225	250	275	300	325	350	375	400	425
32~33.3	52	78	104	130	156	182	208	234	260	286	312	338	364	390	416	442
33.3~34.6'	54	81	108	135	162	189	216	243	270	297	324	351	378	405	432	459
34.6~36'	56	84	112	140	168	196	224	252	280	308	336	364	392	420	448	476
36~37.3	58	87	116	145	174	203	232	261	290	319	348	377	406	435	464	493
38.6~40'	60	90	120	150	180	210	240	270	300	330	360	390	420	450	480	510
40~41.3'	62	93	124	155	186	217	248	279	310	341	372	403	434	465	496	527
41.3~42.6	64	96	128	160	192	224	256	288	320	352	384	416	448	480	512	544
42.6~44'	66	99	132	165	198	231	264	297	330	363	396	429	462	495	528	561
44~45.3'	68	102	136	170	204	238	272	306	340	374	408	442	476	510	544	578
45.3~46.6'	70	105	140	175	210	245	280	315	350	385	420	455	490	525	560	595
48~49.3'	72	108	144	180	216	252	288	324	360	396	432	468	504	540	576	612
49.3~50.6	74	111	148	185	222	259	296	333	370	407	444	481	518	555	592	629
50.6~52'	76	114	152	190	228	266	304	342	380	418	456	494	532	570	608	646
52~53.3'	78	117	156	195	234	273	312	351	390	429	468	507	546	585	624	663
53.3~54.6	80	120	160	200	240	280	320	360	400	440	480	520	560	600	640	680
54.6~56'	82	123	164	205	246	287	328	369	410	451	492	533	574	615	656	697

Note: Add 4 RSIC-1 at each Drywall Butt Joint Condition for optimum Acoustical and UL Fire Resistive Assembly compliances. See UL Fire Resistive Design specifications.