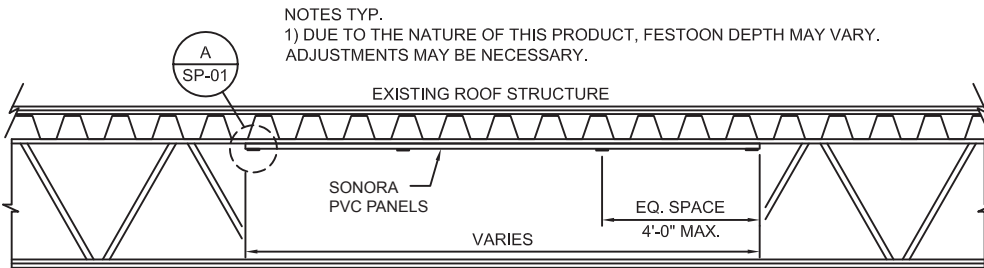


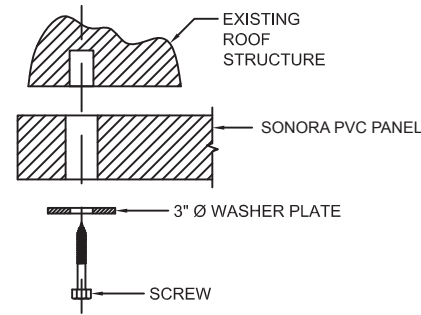
1
SP-01 **VIEW FROM BELOW**
SCALE: NA

NOTES:
1) 1/L-07 ILLUSTRATES A SNUG ATTACHMENT USING 3" DIA. COLOR-MATCHED WASHER PLATES FASTENED DIRECTLY TO THE UNDERSIDE OF A DECK OR CEILING.

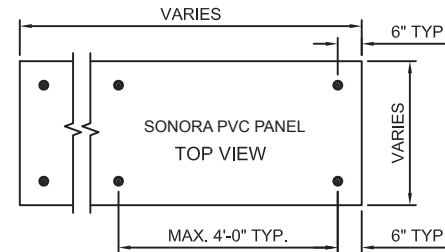


2
SP-01 **PVC PANELS- TYP. ATTACHMENT DETAIL**
SCALE: NA

NOTE:
DETAIL DRAWN TO SHOW SUSPENSION ATTACHMENTS ONLY. IT IS NOT REPRESENTATIVE OF AN ACTUAL INSTALLATION.



A
SP-01 **HARDWARE ATTACHMENT DETAIL**
SCALE: NA



B
SP-01 **WASHER PLATE DETAIL**
SCALE: NA

Acoustics First Corp.
2247 Tomlyn Street
Richmond, VA 23230

Revisions:
No. Date: Description:

No.	Date:	Description:

Sheet Description:

Acoustics First
Sonora PVC Encapsulated Panel
Direct Mount - Washer Plates

Drawn By: CPB

Date: 01/25/11

Scale: NA

Drawing Ref: None

Drawing:

SP-01