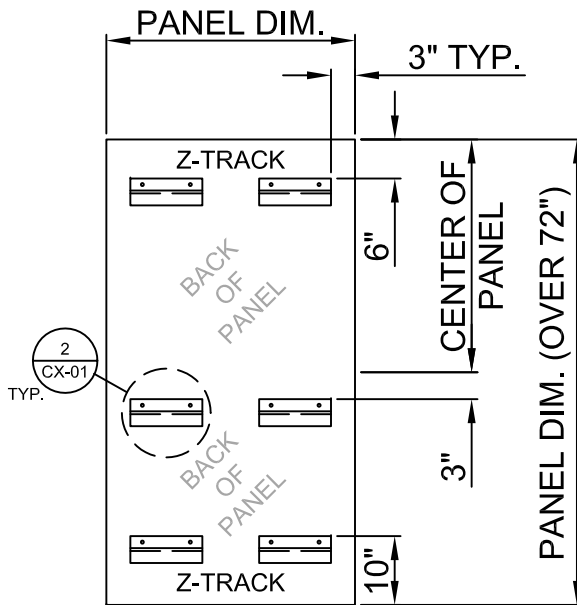
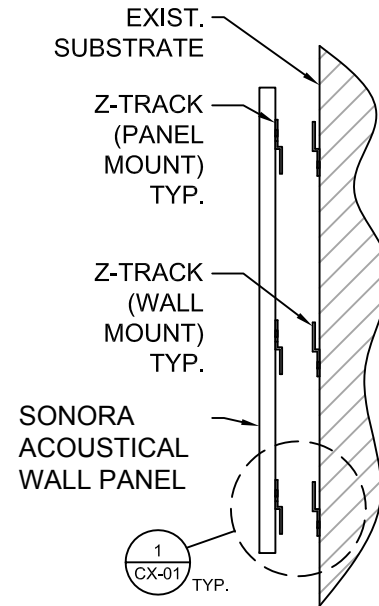


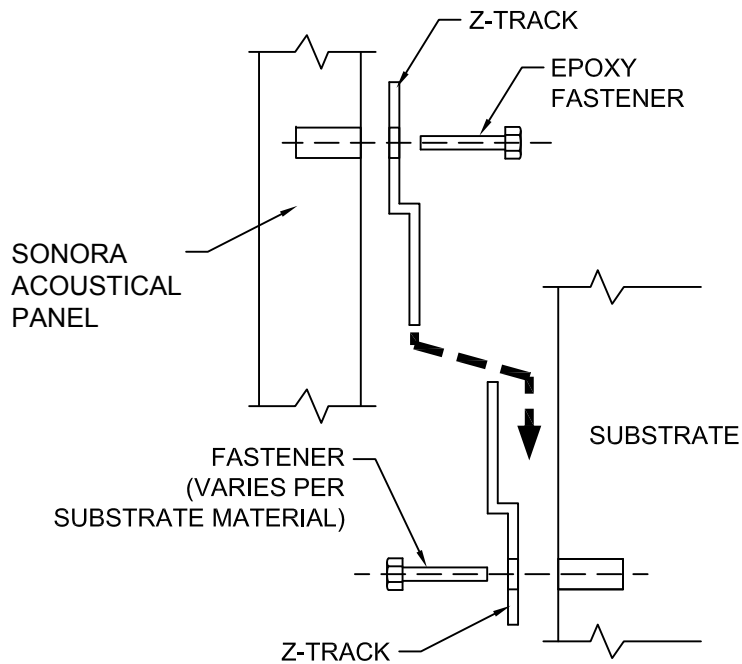
**A** Z-TRACK ATTACHMENT - 72" & UNDER  
 CX-01 SCALE: NA



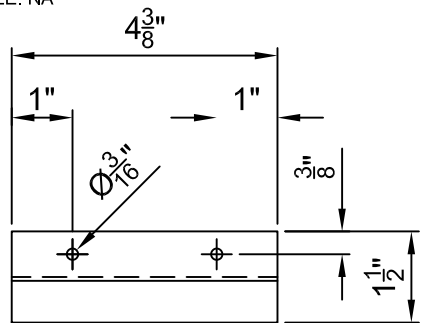
**B** Z-TRACK ATTACHMENT - OVER 72"  
 CX-01 SCALE: NA



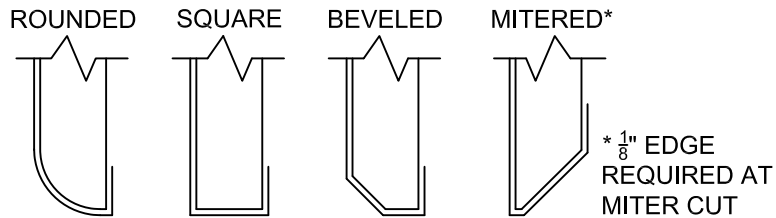
**C** SIDE VIEW  
 CX-01 SCALE: NA



**1** ATTACHMENT DETAIL  
 CX-01 SCALE: NA



**2** Z-TRACK DETAIL  
 CX-01 SCALE: NA



**3** EDGE DETAILS  
 CX-01 SCALE: NA

Revisions:

No.	Date:	Description:

Sheet Description:
